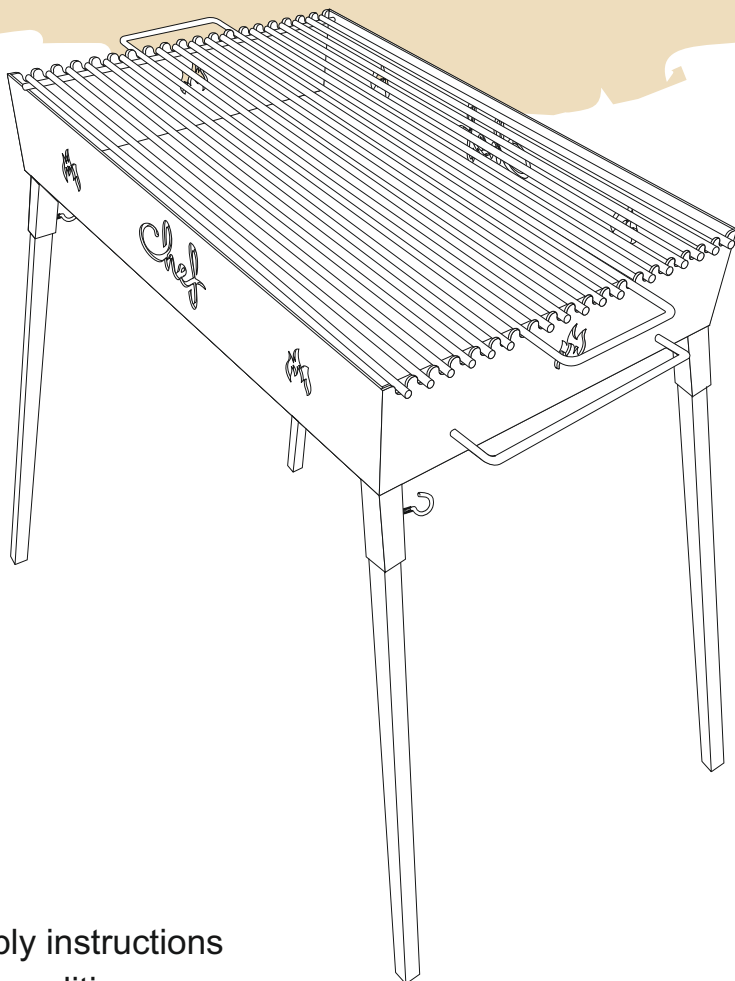


# ” V ” Charcoal Portable Metal Grill

EN



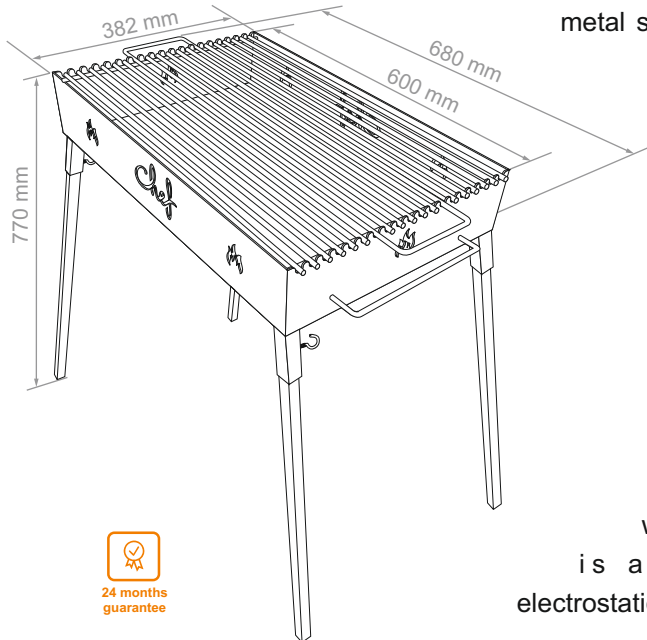
Assembly instructions  
Usage conditions  
Warranty certificate  
Declaration of conformity



## Charcoal Portable Metal Grill "V"

Made in Romania, the Charcoal Portable Metal Grill V is the perfect choice for camping with friends and family or for a quick delicious meal in your courtyard.

The cooking surface is made from 6 mm steel rods or, optional, from stainless steel, distanced from each other at 15 mm, ideal to keep the ingredient safe above the fire but also to allow the heat to cook them just right.



The main fire box is built from 2 or 3 mm metal sheet and the removable support legs are made from squared bars with screw keys to stick them in place. This grill has handlers on the fire box and on the grill. The oxygen circulation to keep the fire burning is made through the cutted shapes on the long sides of the fire box: the flame and the word "Chef". This model is available in black electrostatic fire-resistant paint.



24 months  
guarantee



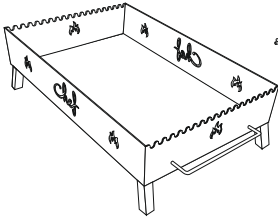
complies with  
EU requirements

Overall dimensions:  
680 x 382 x 770 mm (L x l x h).





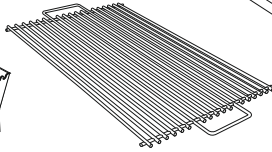
## Elements of the grill



1x

Grill box

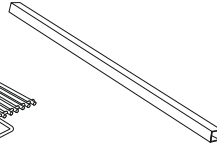
GRSV01



1x

Gril

GRSV02



4x

Metal legs

GRSV03



4x

Threaded  
screws

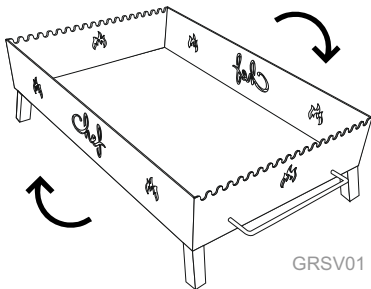
GRSV04



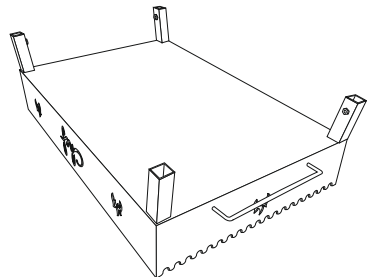
## Assembly instructions

1

ÎTurn the GRSV01 grill box upside down so that the removable leg mounting brackets are facing up.

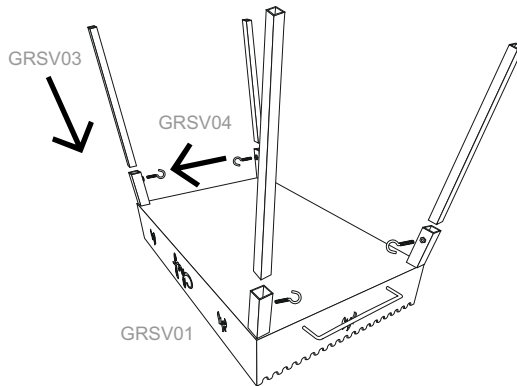


GRSV01



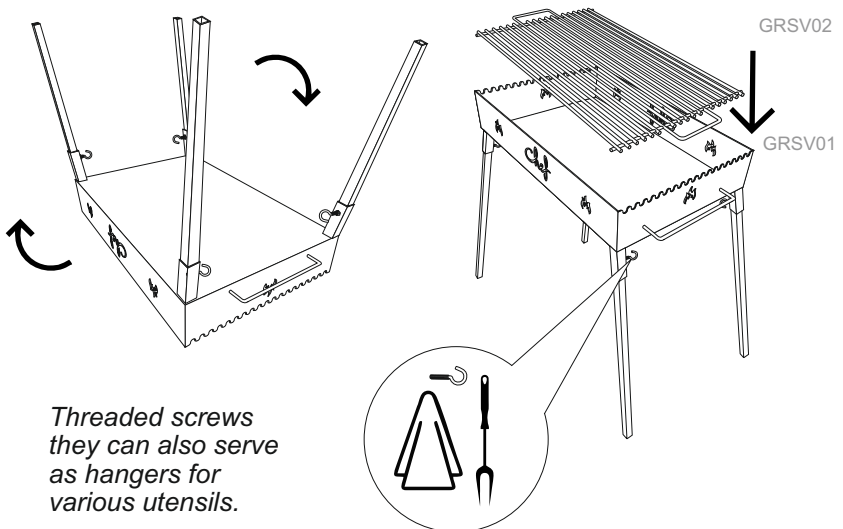
2

Insert the GRSV03 detachable foot into the mounting bracket. Insert the GRSV04 threaded screw into the nut on the mounting bracket and tighten until you are sure that the grill leg is securely fastened. Do the same for all the 4 legs.



3

Return the grill assembly to its original position and secure the GRSV02 grill with the rods into the cut-out in the small sides of the box.



*Threaded screws  
they can also serve  
as hangers for  
various utensils.*





## Usage conditions

---

Burn without cooking before first use.

Although it is heat resistant, the paint on the box will melt and peel after firing, but the functionality and strength of the grill will not be affected.

When not in use, it is recommended to cover the grill with a waterproof cover, move it to an area protected from the weather to avoid rusting of the metal box.

Do not let children near the grill. Being a metal assembly and open flame, there is a risk of injury.

Food must be defrosted before cooking on the grill.

Once the fire is lit in the grill box, do not leave it unattended.

Do not use indoors, in enclosed spaces, near fire hazard areas, under tree branches or near flammable substances. It is advisable to use in an area protected from the wind to avoid the spread of fire to other areas.

During the whole process of use, the grill is very hot. Moving it will be done after you make sure it has cooled down.

Do not use the grill if you are under the influence of alcohol.

After use, extinguish the fire with sand, earth or water and allow the grill to cool. Then clean the box of coals and ash.





*De la 2012,  
proiectăm  
și fabricăm  
în România*

**S.C. GĂȘTEANU RETAIL SERVICES S.R.L.**

CIF RO 29574443  
R.C. J03/102/2012  
Banca ALPHA BANK - PITESTI (Plati Divizia Sticla, Granit)  
IBAN RO54BUCU1091304247172RON  
Banca ING BANK N.V. AMSTERDAM - PITESTI (Plati Divizia Metal)  
IBAN RO52INGB0000999911913515  
Adresa E 574 - Prelungirea Craiovei, Nr. 790 A, 117030 Albota, Argeș  
E-mail office@grsholding.ro

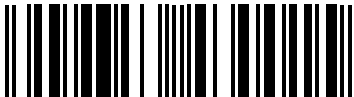
# WARRANTY CERTIFICATE

for the models



**GRILL "V" model**

EAN: 5949356430015

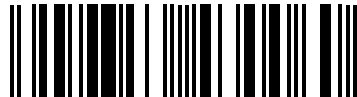


5 9 4 9 3 5 6 4 3 0 0 1 5 >



**GRILL "Y" model**

EAN: 5949356430060

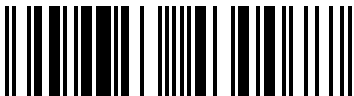


5 9 4 9 3 5 6 4 3 0 0 6 0 >



**GRILL "Z" model**

EAN: 5949356430077



5 9 4 9 3 5 6 4 3 0 0 7 7 >



**DISK "D" model**

EAN: 5949356430046



5 9 4 9 3 5 6 4 3 0 0 4 6 >

The product benefits from a 24-month warranty under normal use. The warranty is effective from the time the grill assembly is sold to the end customer and is only granted for hidden defects or manufacturing defects.

The average duration of use is 5 years.

Manufacturer's stamp:



[www.gratardechef.ro/en](http://www.gratardechef.ro/en)



*Din 2012,  
proiectăm  
și fabricăm  
în România*

**S.C. GĂIȘTEANU RETAIL SERVICES S.R.L.**

CIF RO 29574443  
R.C. J03/102/2012  
Banca ALPHA BANK - PITESTI (Plati Divizia Sticla, Granit)  
IBAN RO54BUCU1091304247172RON  
Banca ING BANK N.V. AMSTERDAM - PITESTI (Plati Divizia Metal)  
IBAN RO52INGB0000999911913515  
Adresa E 574 - Prelungirea Craiovei, Nr. 790 A, 117030 Albota, Argeș  
E-mail office@grsholding.ro

# DECLARATION OF CONFORMITY

for the models



**GRILL "V" model**

EAN: 5949356430015



5 9 4 9 3 5 6 4 3 0 0 1 5 >



**GRILL "Y" model**

EAN: 5949356430060



5 9 4 9 3 5 6 4 3 0 0 6 0 >



**GRILL "Z" model**

EAN: 5949356430077



5 9 4 9 3 5 6 4 3 0 0 7 7 >



**DISK "D" model**

EAN: 5949356430046



5 9 4 9 3 5 6 4 3 0 0 4 6 >

**S.C. GĂIȘTEANU RETAIL SERVICES S.R.L.**, with registered office in Geamăna (Com. Bradu - Argeș), Str. Extension of Craiova No. 52, as a manufacturer, we declare on our own responsibility that the products in **Grătar de Chef** range comply with the legal security requirements and comply with the provisions of Art. 5 of HG No. 1022/2002 regarding the regime of products and services that may endanger life, health, work safety and the protection of the environment.

Manufacturer's stamp:



[www.gratardechef.ro/en](http://www.gratardechef.ro/en)

**GRILL  
"V"**

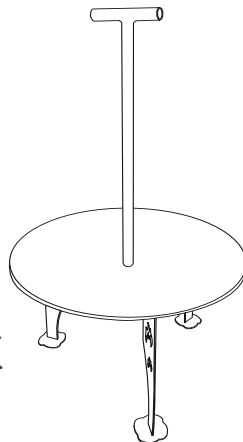


**GRILL  
"Y"**



**GRILL  
"Z"**

**COOKING  
DISK**



*Since 2012,  
we design and  
manufacture  
in Romania*

**S.C. GĂIȘTEANU RETAIL SERVICES S.R.L.**

CIF RO 29574443  
R.C. J03/102/2012  
Banca ALPHA BANK - PITESTI (Plati Divizia Sticla, Granit)  
IBAN RO54BUCU1091304247172RON  
Banca ING BANK N.V. AMSTERDAM - PITESTI (Plati Divizia Metal)  
IBAN RO52INGB0000999911913515  
Adresa E 574 - Prelungirea Craiovei, Nr. 790 A, 117030 Albota, Argeș  
E-mail office@grsholding.ro

[www.gratardechef.ro/en](http://www.gratardechef.ro/en)